

PRODUCT INFORMATION PACKET



Model No: C4T17DK13A

Catalog No: 103727.00

..3/4HP..1725RPM.S56J.DP.208-230/460.3PH.60HZ.CONT.40C.1.25SF.RIGID-C.C4T17DK13.....JET
PUMP.NONE.....

Jet Pump



Regal and Leeson are trademarks of Regal Beloit Corporation or one of its affiliated companies.

©2018 Regal Beloit Corporation, All Rights Reserved. MC017097E





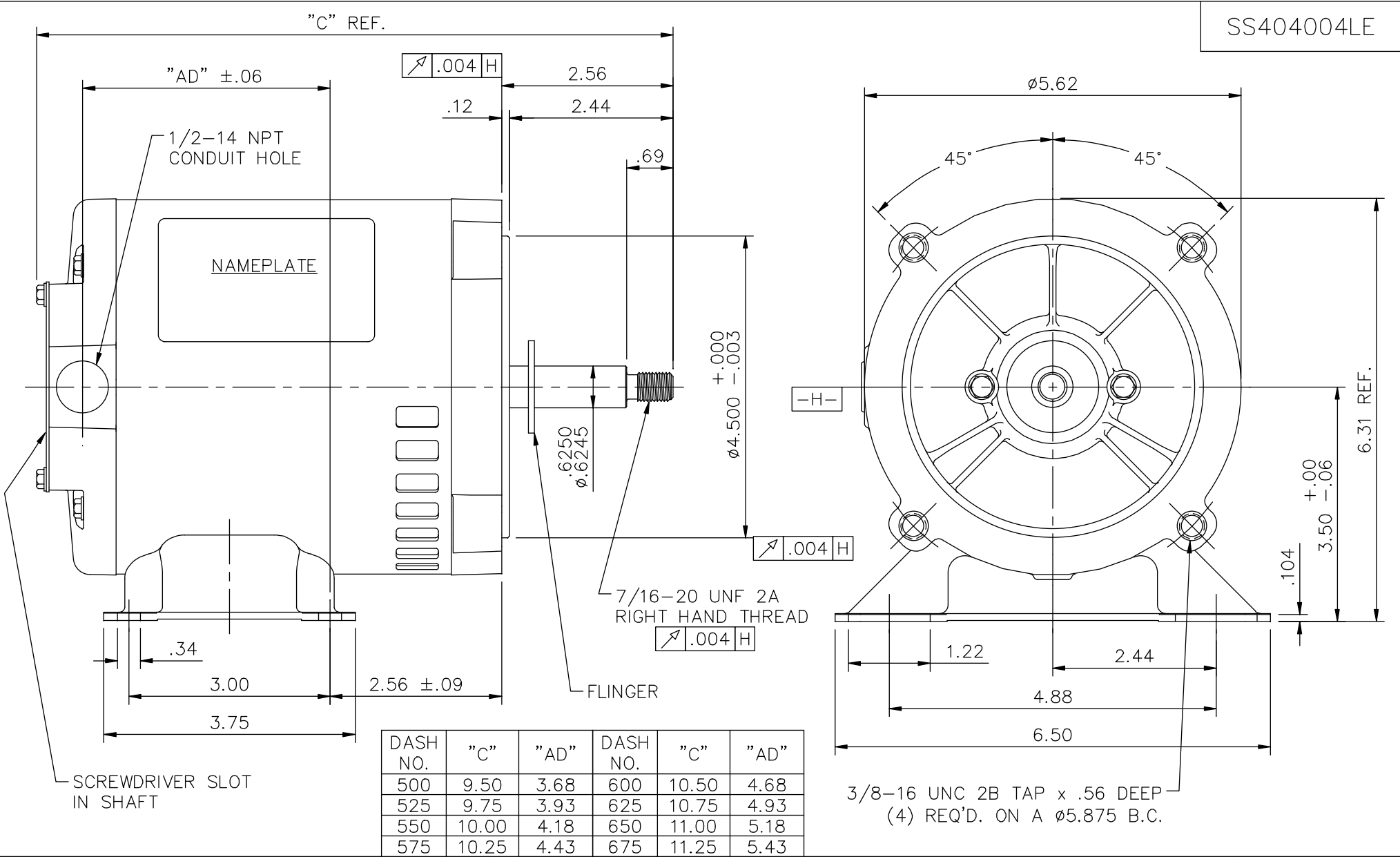
Nameplate Specifications

Output HP	0.75 Hp	Output KW	0.56 kW
Frequency	60 Hz	Voltage	208-230/460 V
Current	2.7-2.8/1.4 A	Speed	1725 rpm
Service Factor	1.25	Phase	3
Efficiency	75 %	Duty	Continuous
Insulation Class	B	Design Code	NO DESIGN CODE
KVA Code	L	Frame	48 C
Enclosure	Drip Proof	Overload Protector	No
Ambient Temperature	40 °C	Drive End Bearing Size	6203
Opp Drive End Bearing Size	6203	UL	Recognized
CSA	Y	CE	N
IP Code	22		

Technical Specifications

Electrical Type	Squirrel Cage Induction Run	Starting Method	Across The Line
Poles	4	Rotation	Reversible
Mounting	Rigid base	Motor Orientation	HORIZONTAL
Drive End Bearing	BALL	Opp Drive End Bearing	BALL
Frame Material	Rolled Steel	Shaft Type	J
Overall Length	11.00 in	Frame Length	6.50 in
Shaft Diameter	0.500 in	Shaft Extension	1.5 in
Assembly/Box Mounting	F1 ONLY		
Outline Drawing	SS404004LE-650	Connection Diagram	A-005010-01

SS404004LE



DASH NO.	"C"	"AD"	DASH NO.	"C"	"AD"
500	9.50	3.68	600	10.50	4.68
525	9.75	3.93	625	10.75	4.93
550	10.00	4.18	650	11.00	5.18
575	10.25	4.43	675	11.25	5.43



ELECTRIC MOTORS
GEARMOTORS
AND DRIVES

DRAWN	SVL 3-20-13
CHK	
APPD	
SCALE	1=2
REF	031801
FMF	103727.00
PREV	

TITLE
OUTLINE - S56J FRAME
RIGID "C" FACE - DRIP PROOF

MAT'L.
3 PHASE

NO.	REVISION	BY & DATE	CHK	TOLERANCES UNLESS SPECIFIED	
				DEC.	INCHES
				.X	±.1
				.XX	±.03
				.XXX	±.005
				.XXXX	±.0005
				ANG	±1/2'
			RFP	3-20-13	
			DIST		

THIS DRAWING IN DESIGN AND DETAIL IS OUR PROPERTY AND MUST NOT BE USED EXCEPT IN CONNECTION WITH OUR WORK ALL RIGHTS OF DESIGN AND INVENTION ARE RESERVED THIS IS AN ELECTRONICALLY GENERATED DOCUMENT - DO NOT SCALE THIS PRINT

CAD FILE SS404004LE

SIZE A
DRAWING NO. SS404004LE
REV.

005010-01

VIEW FROM OUTSIDE OF MOTOR AT SWITCH END.



VOLTAGE	L1	L2	L3	JOIN & INSULATE
HIGH	T1	T2	T3	(T4,T7) (T5,T8) (T6,T9)
LOW	T1,T7	T2,T8	T3,T9	T4,T5,T6

				TOLERANCES UNLESS SPECIFIED		Regal Beloit America, Inc.		DRAWN RDW 04/12/02				
				DEC.	INCHES			CHK				
				.X	±.1			APPD				
				.XX	±.01			SCALE 1=1				
				.XXX	±.005	TITLE		REF FIG.2-51				
A	UPDATED TO REGAL LOGO			SAJ	06/26/15	AJY	.XXXX	±.0005	MAT'L. DECAL - 004014	FMF		
NO.	REVISION			BY & DATE	CHK	ANG	±1/2"	FINISH	PREV			
THIS DRAWING IN DESIGN AND DETAIL IS OUR PROPERTY AND MUST NOT BE USED EXCEPT IN CONNECTION WITH OUR WORK ALL RIGHTS OF DESIGN AND INVENTION ARE RESERVED THIS IS AN ELECTRONICALLY GENERATED DOCUMENT - DO NOT SCALE THIS PRINT				RFP	04/12/02		CAD FILE	00501001		SIZE	DRAWING NO.	REV.
				DIST	BRF-NLV				A	005010-01		A

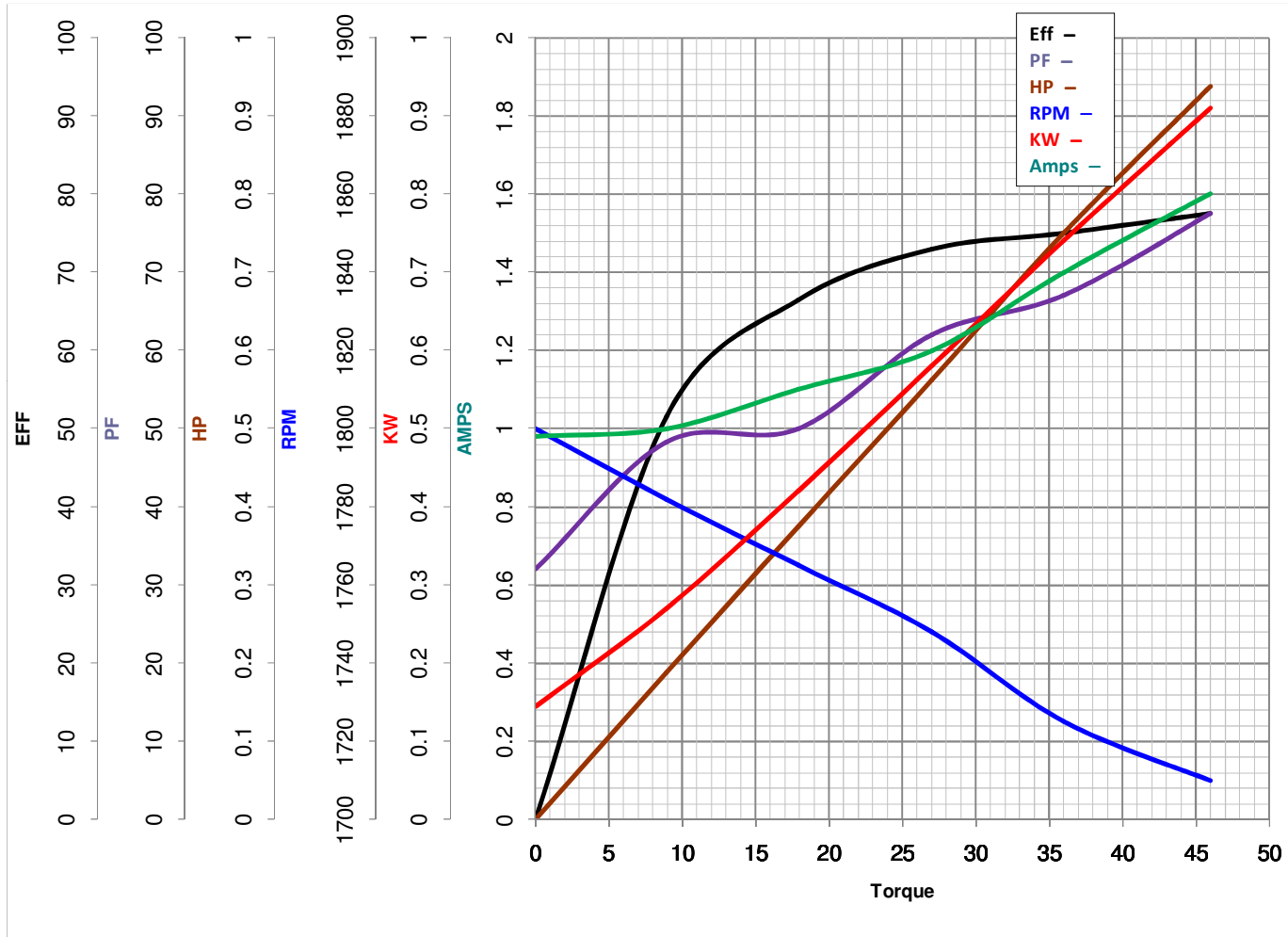


LEESON ELECTRIC CORPORATION
TYPICAL PERFORMANCE CURVE for AC MOTOR

Model No 103727.00

Catalog No 103727.00

Curve at 460 Volts HP 0.75 PHASE 3
60 HZ
0.75 HP VOLTS 208-230/460
HZ 60 RPM 1725



Torque in Oz.Ft

FL TORQUE 36 Oz.Ft
BD TORQUE 162.0 Oz.Ft
LR TORQUE 137.6 Oz.Ft

FL AMPS 2.7-2.8/1.4
PU TORQUE 154.6 Oz.Ft
LR AMPS 8.6

WINDING TE48412-3

Date 6/4/2018